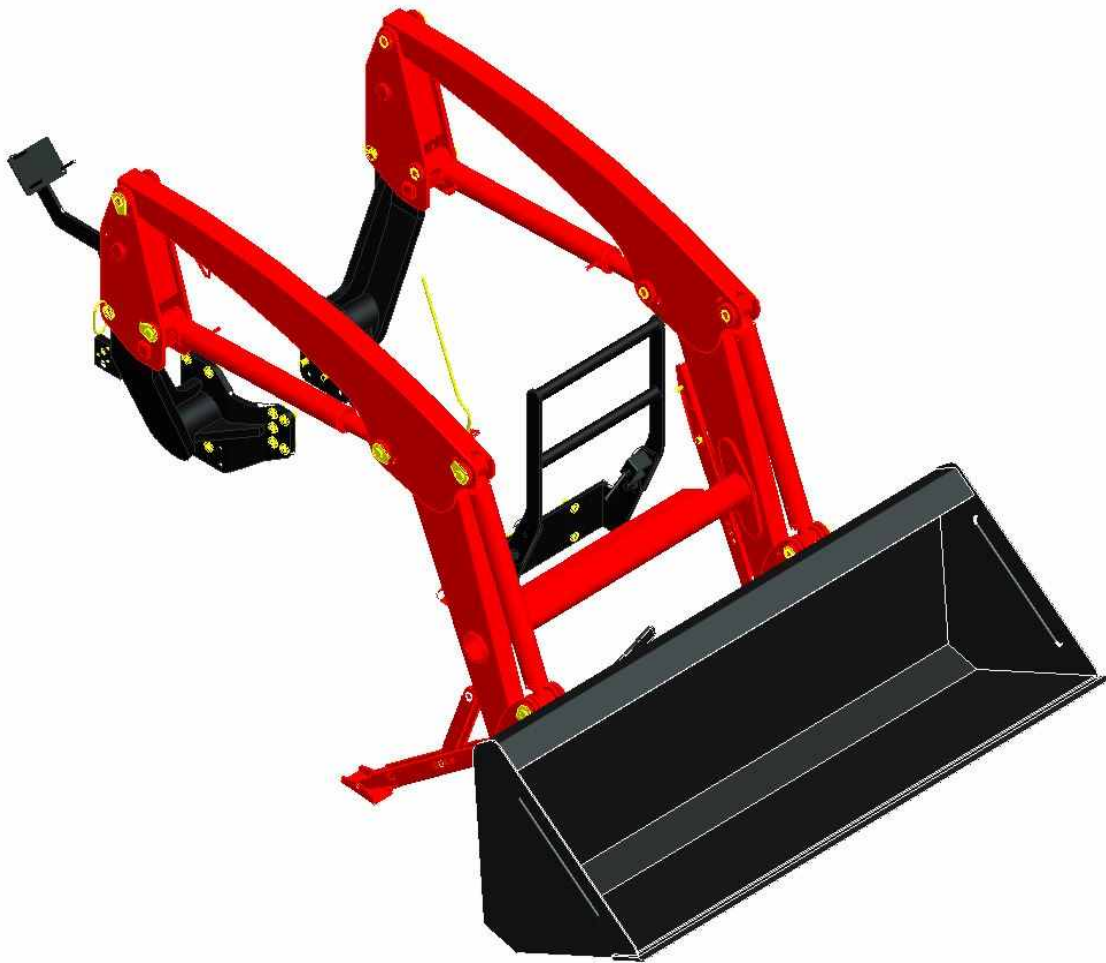


# **PARTS MANUAL**

## **2545C-QB**



### **Front-End Loader**

**M14004**  
**Printed 2014, 06, 20**

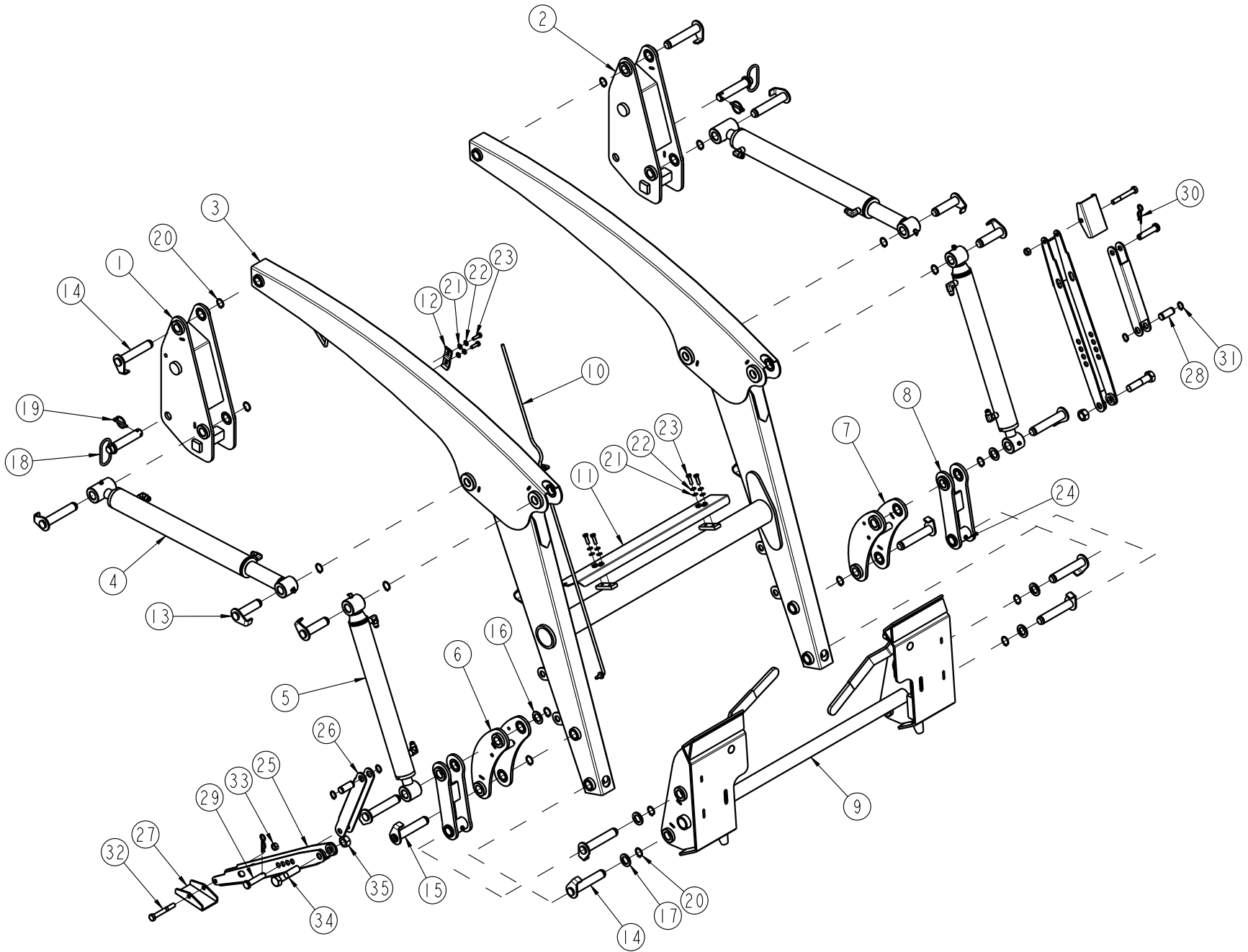
# Table of Contents

## (2545C-QB)

|                         |    |
|-------------------------|----|
| Boom Assembly -----     | 2  |
| Coupler Assembly -----  | 4  |
| Bucket Assembly -----   | 6  |
| Mounting Kit -----      | 8  |
| Cylinder Assembly ----- | 10 |
| Hydraulic Parts -----   | 12 |
| Decal & Manual -----    | 14 |

C1850G

BC073.00-D01



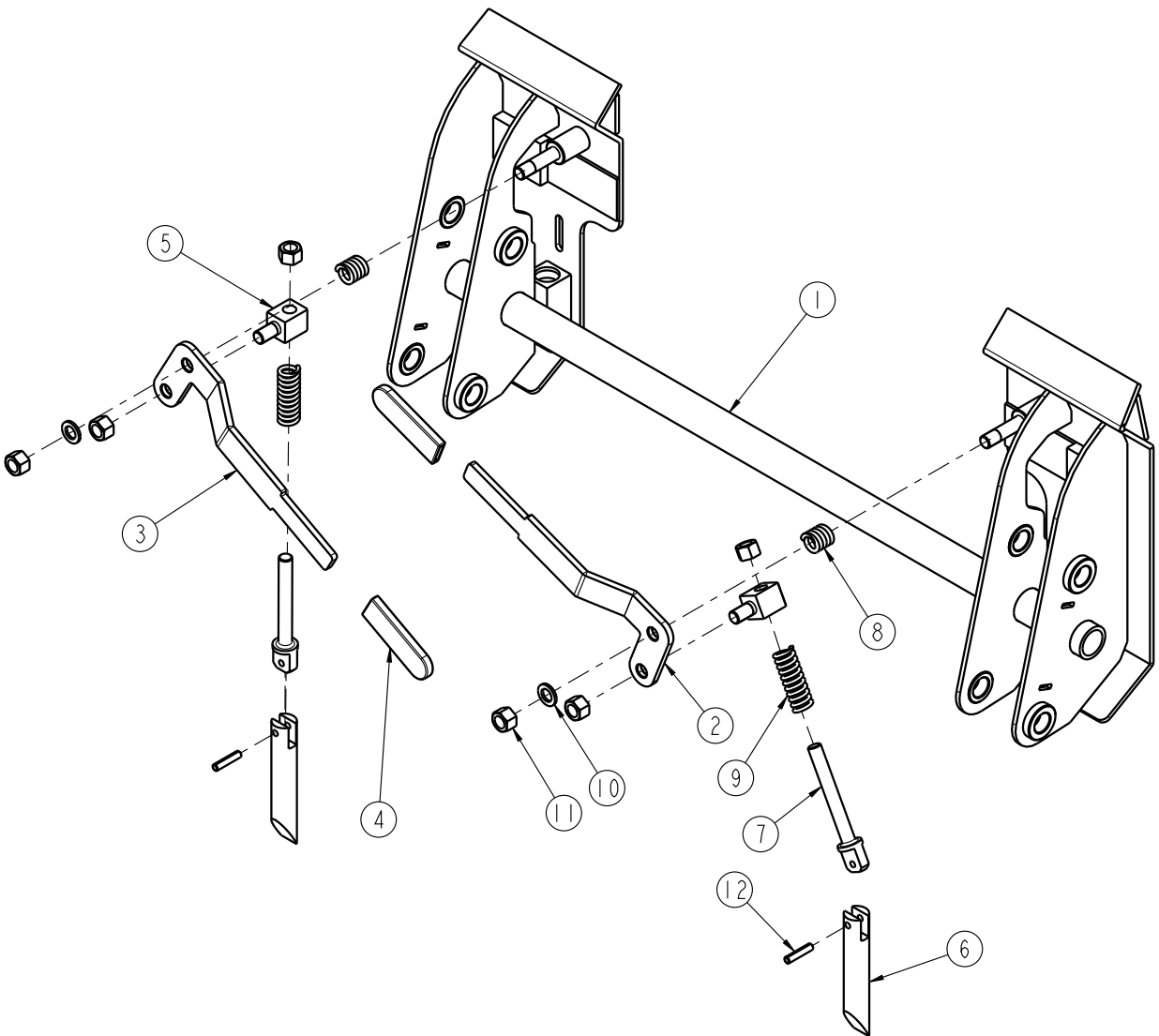
# BOOM ASSEMBLY

# BOOM ASSEMBLY

## (P/N: C1850G)

| NO. | PART NUMBER   | PART NAME       | DESCRIPTION        | Q'TY | REMARK |
|-----|---------------|-----------------|--------------------|------|--------|
| 1   | C1850F-3100   | COLUMN, RH.     |                    | 1    |        |
| 2   | C1850F-3200   | COLUMN, LH.     |                    | 1    |        |
| 3   | C1850G-0000   | BOOM ASSY       |                    | 1    |        |
| 4   | C1850F-8000   | CYLINDER BOOM   | ∅55x∅30x800LxST447 | 2    |        |
| 5   | C1850F-9000   | BUCKET CYLINDER | ∅50x∅30x625LxST390 | 2    |        |
| 6   | C1850F-6000   | LINK BUCKET RH. |                    | 1    |        |
| 7   | C1850F-7000   | LINK BUCKET LH. |                    | 1    |        |
| 8   | C1850F-4100   | BUCKET ROD      |                    | 2    |        |
| 9   | B0945H-0000   | COUPLER B/C     |                    | 1    |        |
| 10  | 2540A-450A    | INDICATOR ASSY  |                    | 1    |        |
| 11  | 4060A-7010    | COVER           | 2.3†               | 1    |        |
| 12  | ALN47-07-3100 | COVER           | 4†                 | 1    |        |
| 13  | P25G-0870     | PIN             |                    | 4    |        |
| 14  | P25G-1250     | PIN             |                    | 10   |        |
| 15  | P25E-1230     | PIN             |                    | 2    |        |
| 16  | P25G-0010     | SHIM            | 2.3†               | 2    |        |
| 17  | P25G-0020     | SHIM            | 4†                 | 4    |        |
| 18  | P25C-1030     | PIN             | ∅25                | 2    |        |
| 19  | AL20-98-9990  | LINK PIN        |                    | 2    |        |
| 20  | SN25M         | SNAP RING       | ∅25                | 16   |        |
| 21  | WP08M         | PLAIN WASHER    | M8                 | 6    |        |
| 22  | WS08M         | SPRING WASHER   | M8                 | 6    |        |
| 23  | BH0855125Z    | BOLT            | M8x25L             | 6    |        |
| 24  | GN08M         | GREASE NIPPLE   | M8                 | 6    |        |
| 25  | 3045A-8100    | STAND           |                    | 2    |        |
| 26  | 3045A-8200    | BRACKET         | 4†                 | 2    |        |
| 27  | 4060A-8400    | BRACKET         | 4†                 | 2    |        |
| 28  | 4060A-8520    | PIN             | ∅20x48L            | 2    |        |
| 29  | 4060A-8530    | PIN             | ∅16x80L            | 2    |        |
| 30  | PR30045       | R-PIN           | ∅3                 | 2    |        |
| 31  | SN20M         | SNAP RING       | ∅20                | 4    |        |
| 32  | BH1216175Z    | BOLT(10.9T)     | M12x90L            | 2    |        |
| 33  | NL12175Z      | LOCK NUT        | M12                | 2    |        |
| 34  | BH20H5250X    | BOLT(10.9T)     | M20x85L            | 2    |        |
| 35  | NL20250Z      | LOCK NUT        | M20                | 2    |        |

# COUPLER ASSEMBLY



B0945H-0000

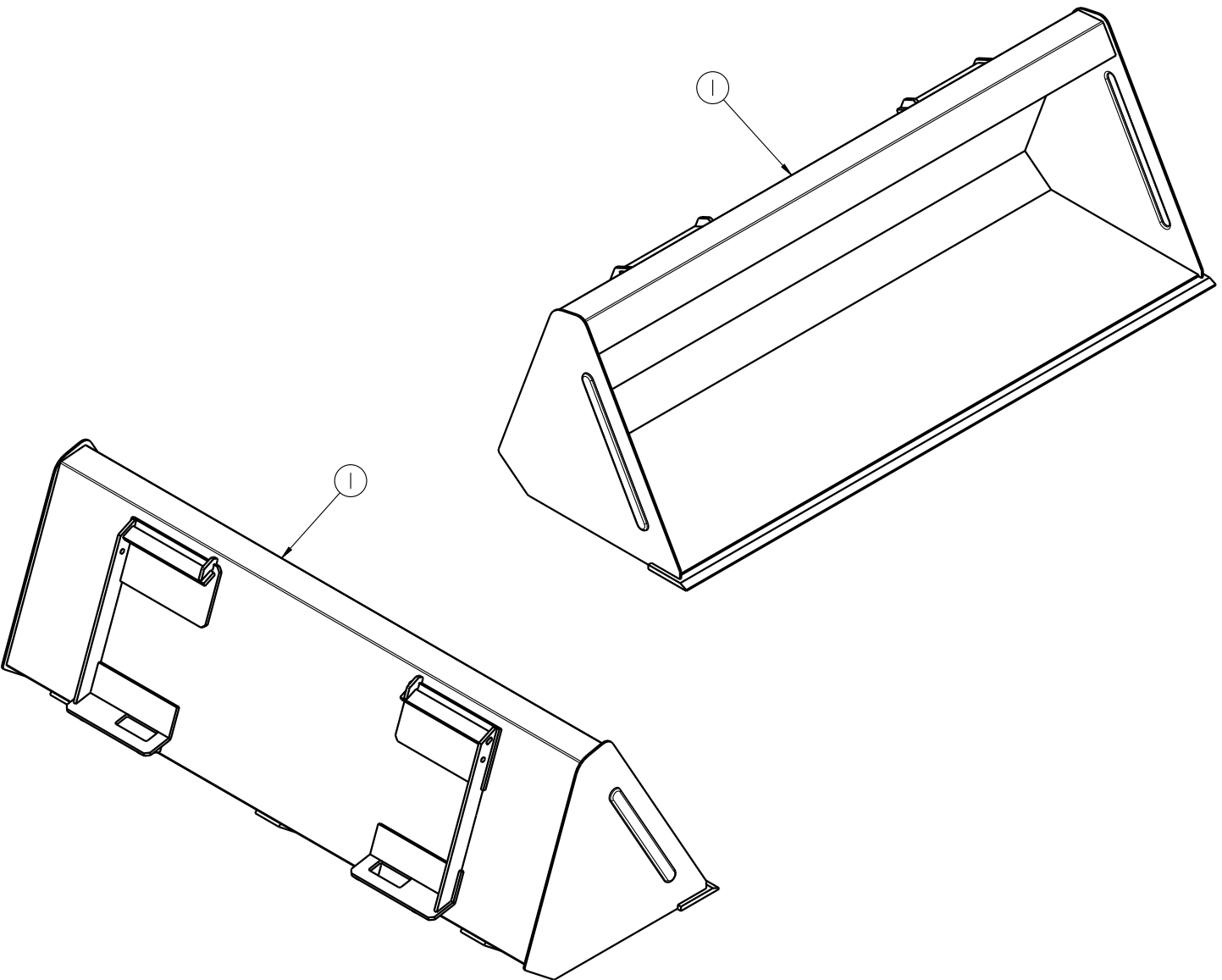
AT030.00-D01

# COUPLER ASSEMBLY

(P/N: B0945H-0000)

| NO. | PART NUMBER | PART NAME    | DESCRIPTION | Q'TY | REMARK |
|-----|-------------|--------------|-------------|------|--------|
| 1   | B0945H-2000 | COUPLER B/C  |             | 1    |        |
| 2   | B0945A-111B | LEVER RH.    | 8†          | 1    |        |
| 3   | B0945A-112B | LEVER LH.    | 8†          | 1    |        |
| 4   | B0945A-0090 | HANDLE       |             | 2    |        |
| 5   | B0945A-1210 | PIN          | 30x30       | 2    |        |
| 6   | B0945A-1220 | PIN          | ∅30         | 2    |        |
| 7   | B0945A-1230 | PIN          | ∅30         | 2    |        |
| 8   | B0945A-1310 | SPRING       | ∅5          | 2    |        |
| 9   | B0945A-1320 | SPRING       |             | 2    |        |
| 10  | WP16M       | PLAIN WASHER | M16         | 2    |        |
| 11  | NL16200Z    | LOCK NUT     | M16         | 6    |        |
| 12  | PS08040     | SPRING PIN   | ∅8x40L      | 2    |        |

# BUCKET ASSEMBLY



BT38F

BK033.00-D01

# BUCKET ASSEMBLY

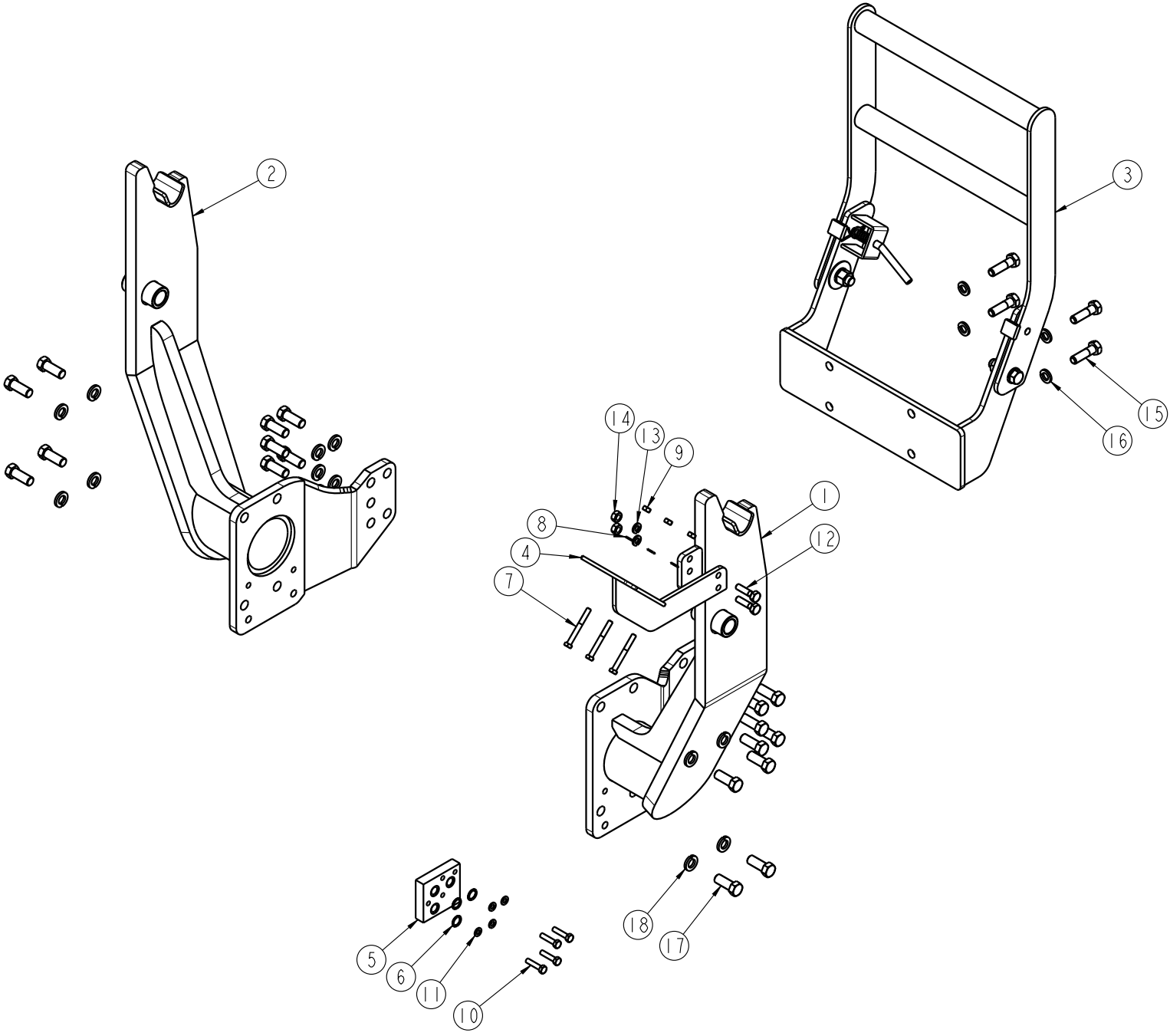
**(P/N: BT38F)**

| NO. | PART NUMBER | PART NAME | DESCRIPTION | Q'TY | REMARK |
|-----|-------------|-----------|-------------|------|--------|
| 1   | BT38F       | BUCKET    | L=1670      | 1    |        |



L3301A

L3301A.00-D01



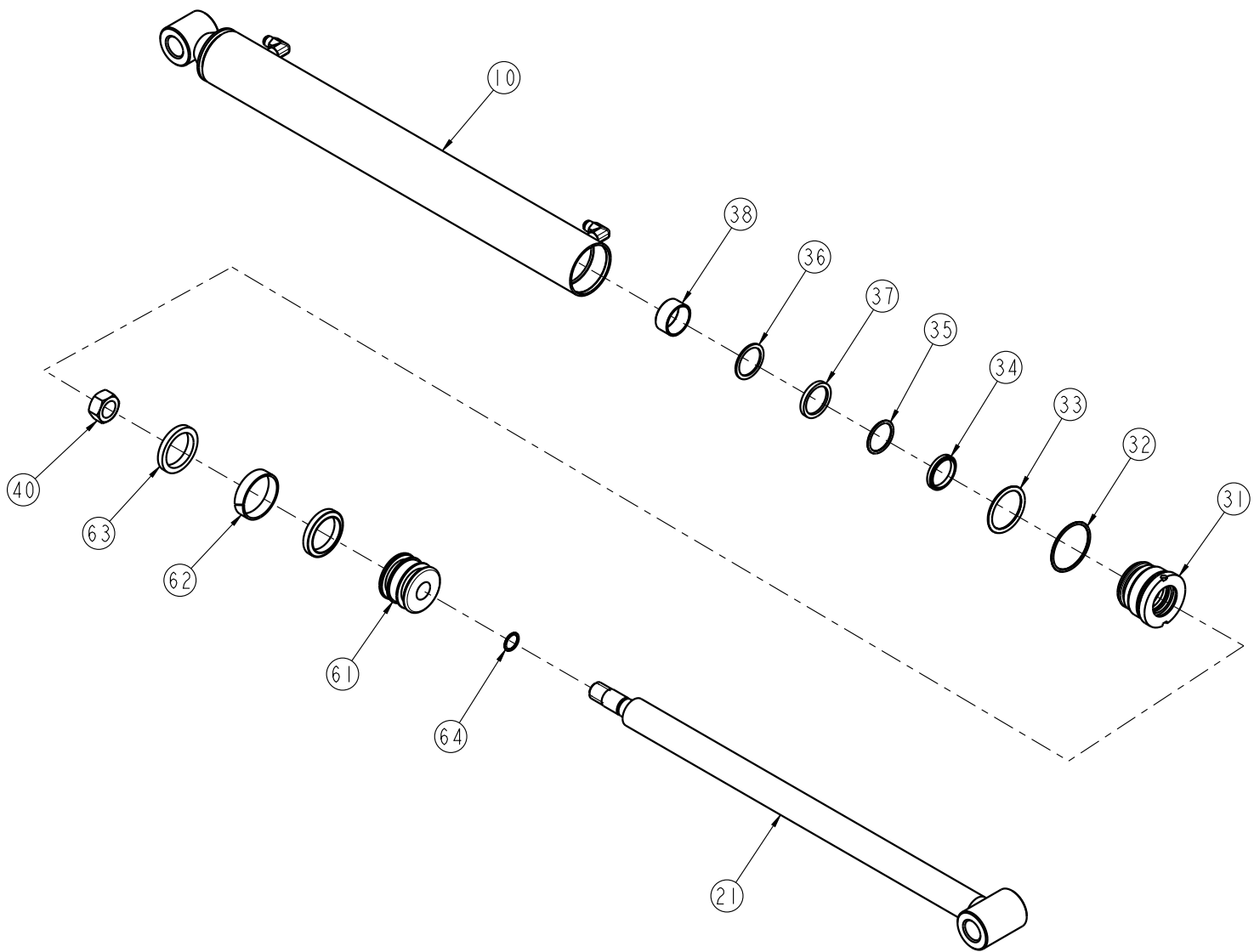
# MOUNTING KIT

# MOUNTING KIT

## (P/N: L3301A)

| NO. | PART NUMBER | PART NAME     | DESCRIPTION  | Q'TY | REMARK |
|-----|-------------|---------------|--------------|------|--------|
| 1   | L3301A-1100 | SUB FRAME RH. |              | 1    |        |
| 2   | L3301A-1200 | SUB FRAME LH. |              | 1    |        |
| 3   | L3301B-4000 | BUMPER ASSY   |              | 1    |        |
| 4   | L2800B-8100 | BRACKET-C/V   |              | 1    |        |
| 5   | L2800A-9900 | BLOCK         | 19t          | 1    |        |
| 6   | P16         | O-RING        | ∅16          | 3    |        |
| 7   | BH08E6125Z  | BOLT          | M8x70L       | 3    |        |
| 8   | WS08M       | SPRING WASHER | M8           | 3    |        |
| 9   | NH08125Z    | NUT           | M8           | 3    |        |
| 10  | BH0877125Z  | BOLT          | M8x35L       | 4    |        |
| 11  | WP08M       | PLAIN WASHER  | M8           | 4    |        |
| 12  | BH1086150Z  | BOLT(10.9T)   | M10x40L      | 2    |        |
| 13  | WS10M       | SPRING WASHER | M10          | 2    |        |
| 14  | NH10150Z    | NUT           | M10          | 2    |        |
| 15  | BH14A7150Z  | BOLT(10.9T)   | M14x50Lx1.5P | 4    |        |
| 16  | WS14M       | SPRING WASHER | M14          | 4    |        |
| 17  | BH1688150Z  | BOLT(10.9T)   | M16x40Lx1.5P | 18   |        |
| 18  | WS16M       | SPRING WASHER | M16          | 18   |        |

# CYLINDER ASSEMBLY



CYLINDER

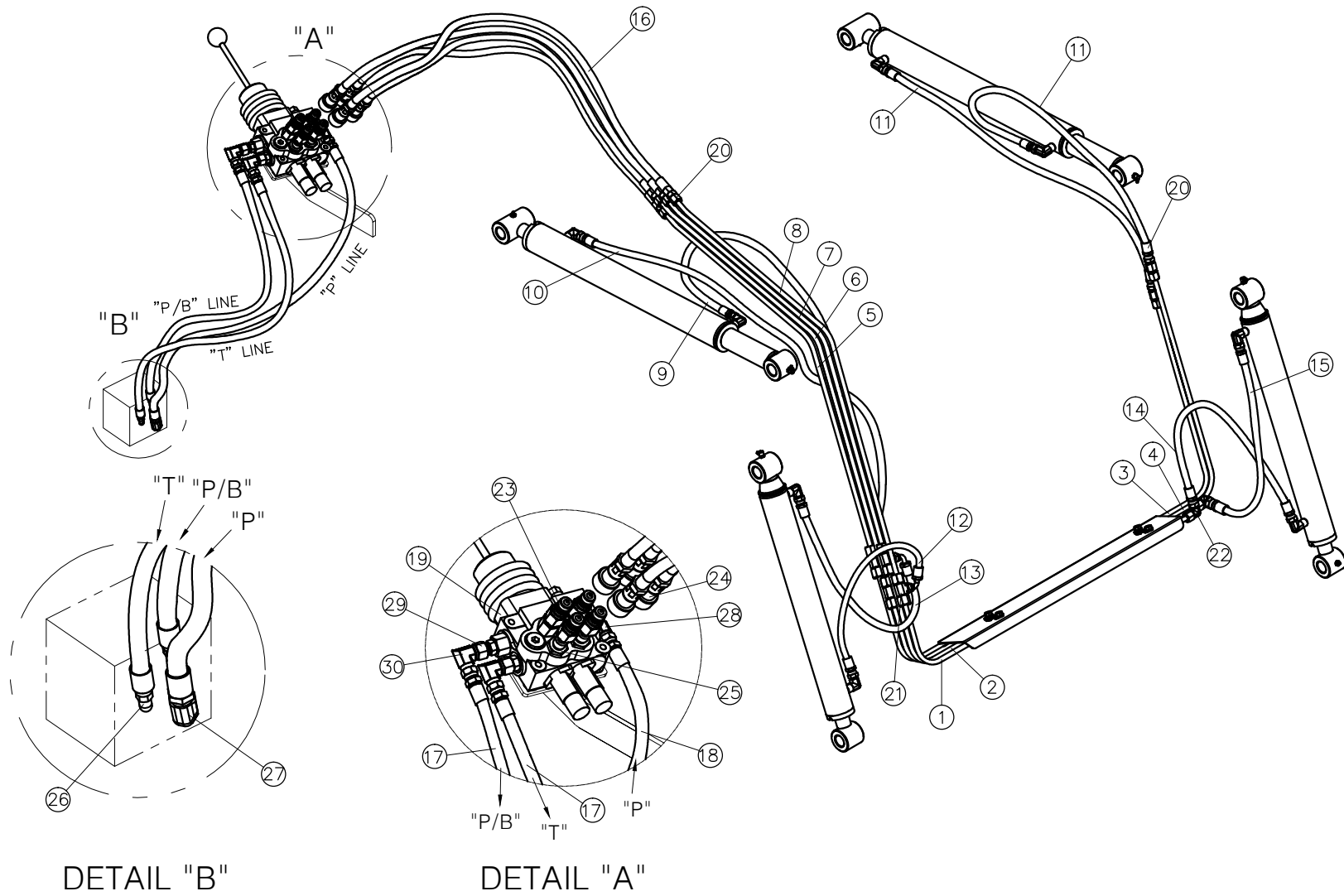
# CYLINDER ASSEMBLY

| NO. | PART NAME  | PART NUMBER             |                       | Q'TY | REMARK |
|-----|--|-------------------------|-----------------------|------|--------|
|     |  | BUCKET<br>(C1850F-9000) | BOOM<br>(C1850F-8000) |      |        |
| 10  | TUBE   | C1850F-9100             | C1850F-8100           | 1    |        |
| 21  | ROD  | C1850F-9300             | C1850F-8300           | 1    |        |
| 31  | COVER ROD  | CR5030                  | CR5530                | 1    |        |
| 32  | O-RING   | 1BG50                   | 1BG55                 | 1    |        |
| 33  | O-RING   | 1BG44                   | 1BG49                 | 1    |        |
| 34  | DUST SEAL  | LBW 30x38x5/6.5         | LBW 30x38x5/6.5       | 1    |        |
| 35  | O-RING   | 1BP30                   | 1BP30                 | 1    |        |
| 36  | BACK UP RING                                     | BRWW 30x40x2            | BRWW 30x40x2          | 1    |        |
| 37  | U-PACKING  | ISW 30x40x6             | ISW 30x40x6           | 1    |        |
| 38  | DU BUSH  | DU3020                  | DU3020                | 1    |        |
| 40  | NUT  | CY-M20                  | CY-M20                | 1    |        |
| 61  | PISTON   | PI5030-W                | PI5530-W              | 1    |        |
| 62  | WEAR-RING  | WRW 50x45x15            | WRW 55x50x15          | 1    |        |
| 63  | U-PACKING  | ODW 50x35x9             | ODW 55x40x10          | 2    |        |
| 64  | O-RING   | 1BP18                   | 1BP18                 | 1    |        |
|     | SEAL KIT<br>(Include 32,33,34,35<br>36,37,63,64) | SEAL 5030               | SEAL 5530             |      |        |

C1850F

C1850F.00-CY-T01

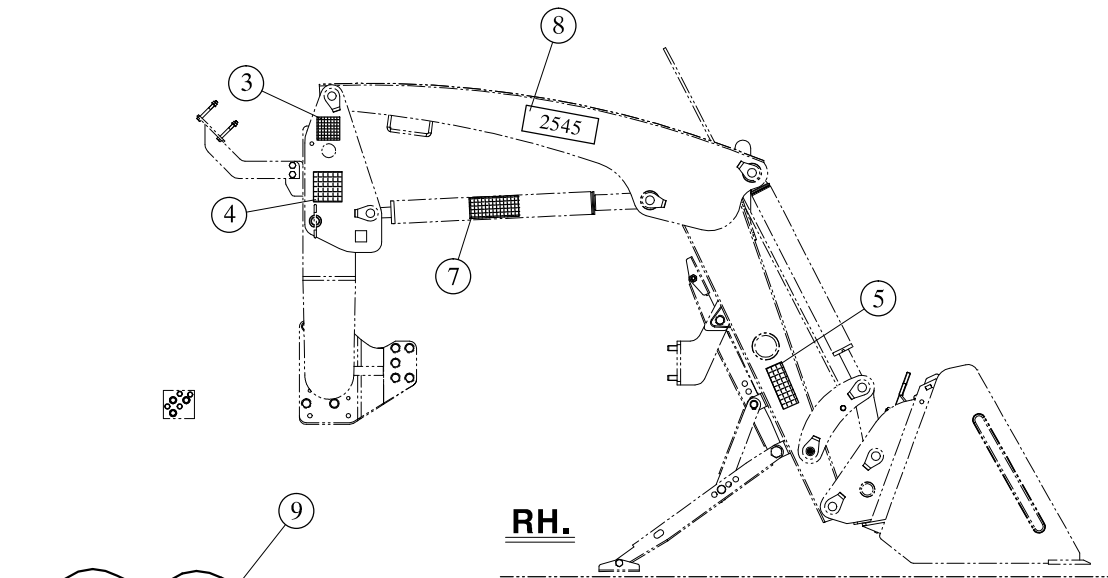
# HYDRAULIC PARTS



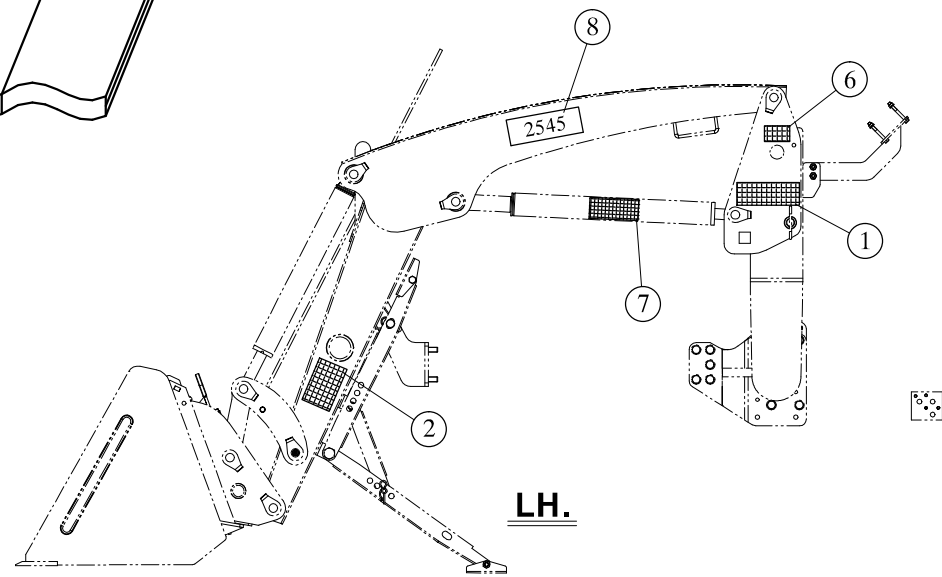
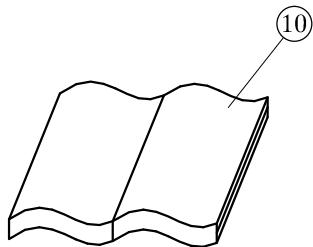
# HYDRAULIC PARTS

| NO. | PART NAME           | PART NUMBER    | Q'TY | REMARK      |
|-----|---------------------|----------------|------|-------------|
| 1   | PIPE                | C1850A-07-1100 | 1    |             |
| 2   | PIPE                | C1850A-07-1200 | 1    |             |
| 3   | PIPE                | C1850A-07-1300 | 1    |             |
| 4   | PIPE                | C1850A-07-1400 | 1    |             |
| 5   | PIPE                | C1850A-07-1500 | 1    |             |
| 6   | PIPE                | C1850A-07-1600 | 1    |             |
| 7   | PIPE                | C1850A-07-1700 | 1    |             |
| 8   | PIPE                | C1850A-07-1800 | 1    |             |
| 9   | HOSE ASS'Y          | 5PG1-0300      | 1    |             |
| 10  | HOSE ASS'Y          | 5PG1-0760      | 1    |             |
| 11  | HOSE ASS'Y          | 5PG1-0060      | 2    |             |
| 12  | HOSE ASS'Y          | 5PG1-0140      | 1    |             |
| 13  | HOSE ASS'Y          | 5PG1-0050      | 1    |             |
| 14  | HOSE ASS'Y          | 5PG1-0570      | 1    |             |
| 15  | HOSE ASS'Y          | 5PG1-0480      | 1    |             |
| 16  | HOSE ASS'Y          | 3P81-0680      | 4    |             |
| 17  | HOSE ASS'Y          | 3P81-0670      | 2    |             |
| 18  | HOSE ASS'Y          | 3P81-0150      | 1    |             |
| 19  | CONTROL VALVE       | HDM03/2        | 1    | Besko Valve |
| 20  | NIPPLE              | ALK28-07-9800  | 6    |             |
| 21  | TEE NIPPLE          | ALK28-07-9900  | 4    |             |
| 22  | ELBOW NIPPLE        | ALK28-07-9600  | 2    |             |
| 23  | Q-COUPLER(M)        | ALK 28-07-720A | 4    |             |
| 24  | Q-COUPLER(F)        | ALK 28-07-710A | 4    |             |
| 25  | NIPPLE              | AL25-07-940B   | 4    |             |
| 26  | NIPPLE              | ALK28-07-9200  | 2    |             |
| 27  | ELBOW NIPPLE        | ALK28-07-9500  | 1    |             |
| 28  | ELBOW NIPPLE        | ALK28-07-781B  | 1    |             |
| 29  | O-RING NIPPLE       | 7860-07-7080   | 2    |             |
| 30  | SWIVEL ELBOW NIPPLE | S1600G-07-0010 | 2    |             |

# DECAL & MANUAL



RH.



LH.

# DECAL & MANUAL

| NO. | PART NAME         | PART NUMBER | Q'TY | REMARK |
|-----|-------------------|-------------|------|--------|
| 1   | DECAL             | 03L01       | 1    |        |
| 2   | DECAL             | 03L02       | 1    |        |
| 3   | DECAL             | 03L03       | 1    |        |
| 4   | DECAL             | 03L04       | 1    |        |
| 5   | DECAL             | 03L05       | 1    |        |
| 6   | DECAL             | 03L06       | 1    |        |
| 7   | DECAL             | 12L12       | 2    |        |
| 8   | DECAL             | 11L24       | 2    | "2545" |
| 9   | OPERATOR'S MANUAL | M03L01      | 1    |        |
| 10  | PARTS MANUAL      | M14004      | 1    |        |